

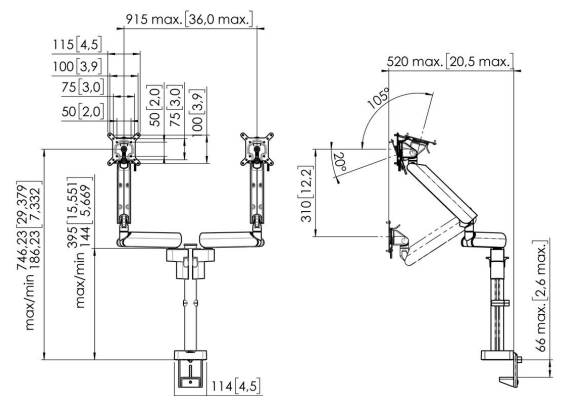


## MOMO 4237 Monitor Arm Motion Plus for 2 monitors (white)

### Key Benefits

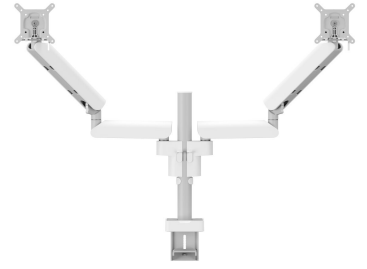
- Height Adjustable
- Suitable for one, two or a whole series of monitors
- Easy to assemble without tools
- Flexible modular system
- TÜV certified / 10-year guarantee

The ergonomic monitor arm for every workplace The MOMO 4237 is a dynamic monitor arm for mounting 2 monitors, specially designed for monitors that are regularly adjusted in height, such as at flexible work stations. The monitor arm can hold screen up to 34 inches and weighing up to 10 kg.





# MOMO 4237 Monitor Arm Motion Plus for 2 monitors (white)



## Specifications

|                                 |   |
|---------------------------------|---|
| Min. screen size (inch)         | 10                                      |
| Max. screen size (inch)         | 34                                      |
| Max. screen size (inch)         | 34                                      |
| Universal or fixed hole pattern | Fixed                                   |
| Max. height of interface (mm)   | 115                                     |
| Max. width of interface (mm)    | 115                                     |
| Max. display width (mm)         | 915                                     |
| Max. weight load (kg)           | 20                                      |
| Max. weight load (Lbs)          | 44.09                                   |
| Max. center display             | 751                                     |
| Max. thickness desk             | 66                                      |
| Number of pivot points          | 3                                       |
| Rotate                          | Up to 180°                              |
| Tilt                            | Tilt -20°/+105°                         |
| Height adjustment               | Mechanical spring,<br>OneFingerMovement |
| Adjustable depth                | Yes                                     |
| Adjustable height               | Yes                                     |
| Mounting Possibilities          | On and through desk                     |
| Article number (SKU)            | 7142371                                 |
| EAN single box                  | 8712285353680                           |
| Colour                          | White                                   |
| TÜV certified                   | Yes                                     |
| Guarantee                       | 10 years                                |

VOGEL'S HOLDING BV (©)

All rights reserved.  
Subject to printing errors,  
technical and price  
amendments.

Date: 2024-01-03



**Vogel's.** For Sure.